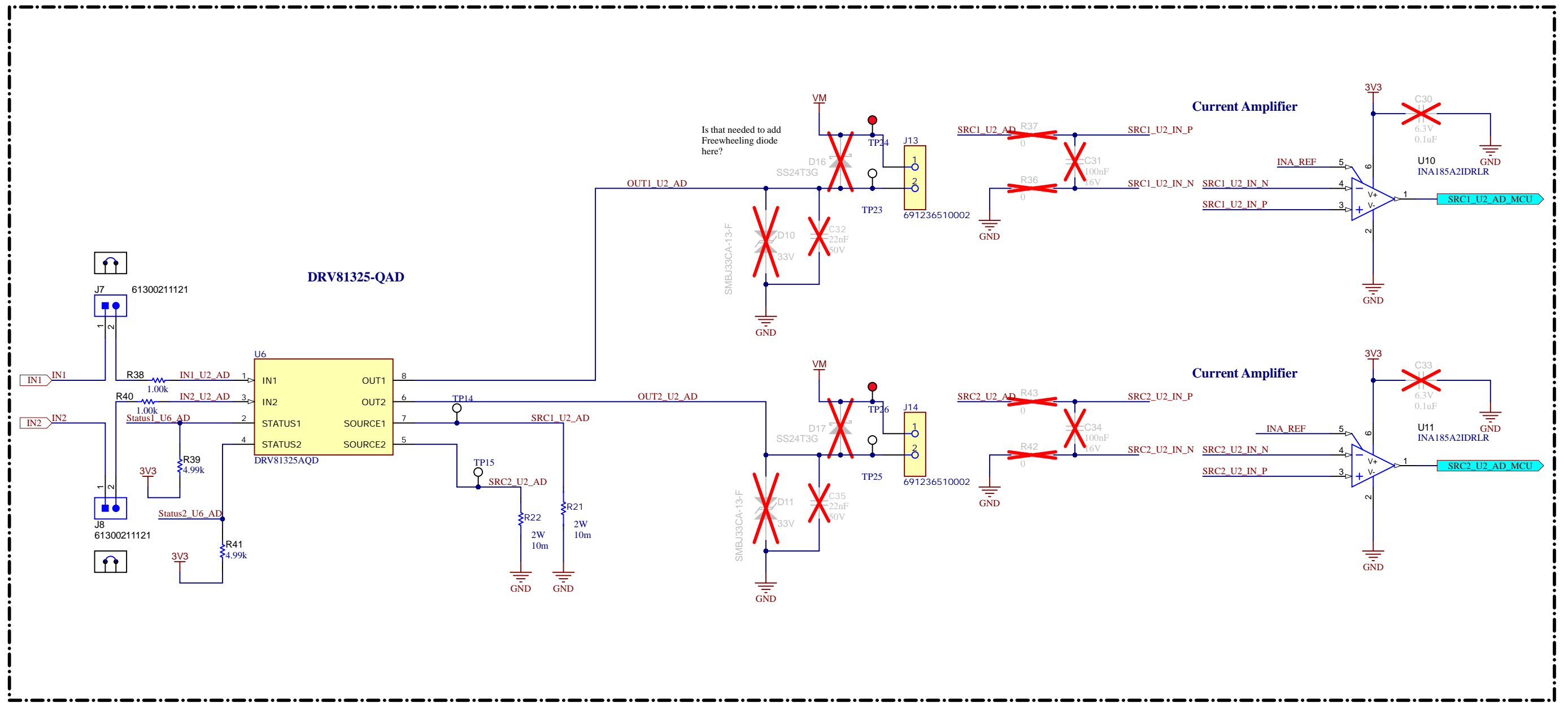


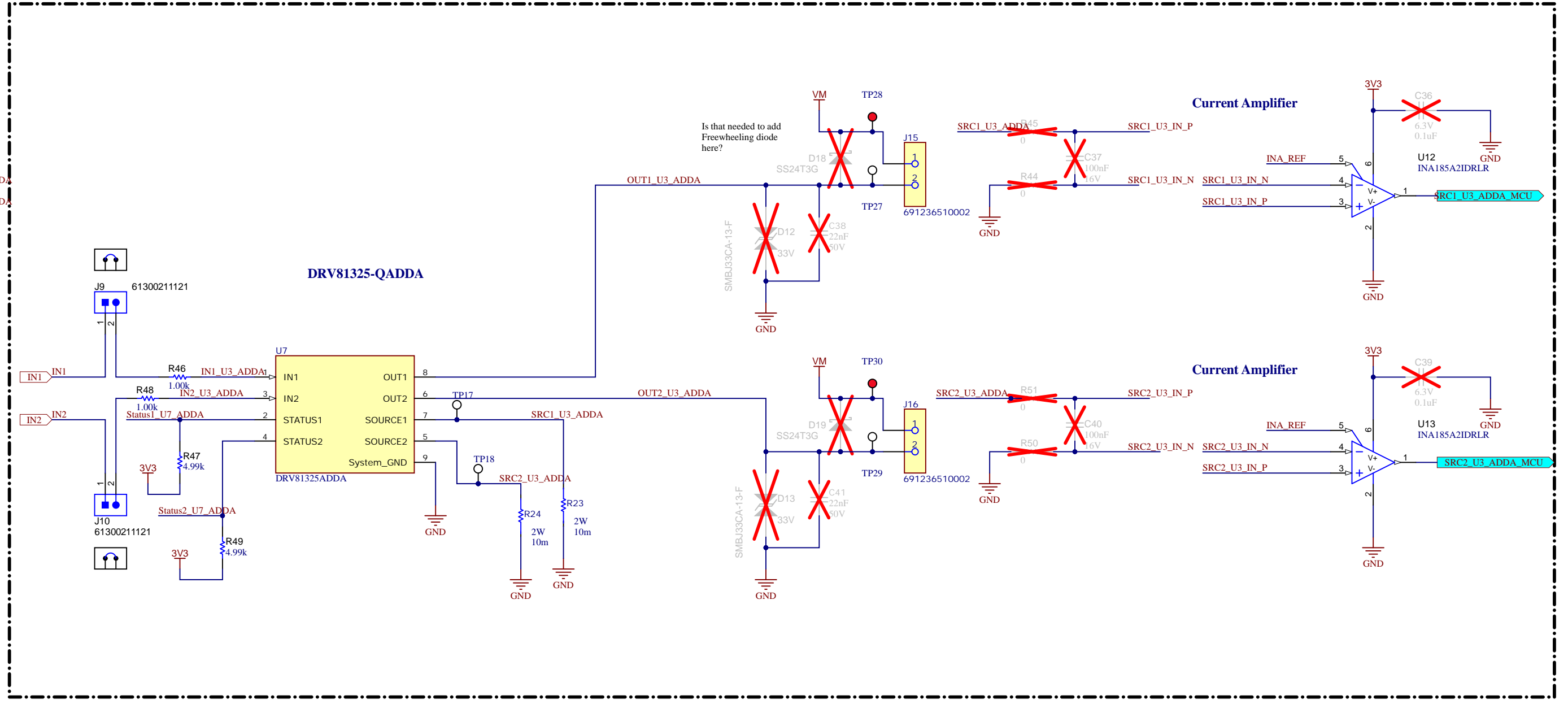
Texas Instruments and/or its licensors do not warrant the accuracy or completeness of this specification or any information contained therein. Texas Instruments and/or its licensors do not warrant that this design will meet the specifications, will be suitable for your application or fit for any particular purpose, or will operate in an implementation. Texas Instruments and/or its licensors do not warrant that the design is production worthy. You should completely validate and test your design implementation to confirm the system functionality for your application.



Texas Instruments and/or its licensors do not warrant the accuracy or completeness of this specification or any information contained therein. Texas Instruments and/or its licensors do not warrant that this design will meet the specifications, will be suitable for your application or fit for any particular purpose, or will operate in an implementation. Texas Instruments and/or its licensors do not warrant that the design is production worthy. You should completely validate and test your design implementation to confirm the system functionality for your application.

Orderable: DRV81325-Q1EVM	Designed for: Public Release	Mod. Date: 3/24/2026
TID #: N/A	Project Title: DRV81325-Q1EVM	
Number: MD129-001	Rev: E2	Sheet Title:
SVN Rev: Not in version control	Assembly Variant: DRV81325-Q1EVM	Sheet: 3 of 5
Drawn By: Mojtaba Afshar	File: DRV81325-QAD_IC.SchDoc	Size: B
Engineer: Mojtaba Afshar	Contact: http://www.ti.com/support	





Is that needed to add
Freewheeling diode
here?

Current Amplifier

Current Amplifier

Texas Instruments and/or its licensors do not warrant the accuracy or completeness of this specification or any information contained therein. Texas Instruments and/or its licensors do not warrant that this design will meet the specifications, will be suitable for your application or fit for any particular purpose, or will operate in an implementation. Texas Instruments and/or its licensors do not warrant that the design is production worthy. You should completely validate and test your design implementation to confirm the system functionality for your application.

Orderable: DRV81325-Q1EVM	Designed for: Public Release	Mod. Date: 3/24/2026
TID #: N/A	Project Title: DRV81325-Q1EVM	
Number: MD129-001	Rev: E2	Sheet Title:
SVN Rev: Not in version control	Assembly Variant: DRV81325-Q1EVM	Sheet: 4 of 5
Drawn By: Mojtaba Afshar	File: DRV81325-QADDA_IC.SchDoc	Size: B
Engineer: Mojtaba Afshar	Contact: http://www.ti.com/support	



MP1 SJ-5303 (CLEAR) MP2 SJ-5303 (CLEAR) MP3 SJ-5303 (CLEAR) MP4 SJ-5303 (CLEAR)

FID1 FID2 FID3

PCB Number: MD129-001
PCB Rev: E2

PCB LOGO
Texas Instruments



PCB LOGO
FCC disclaimer

PCB LOGO
WEEE logo



PCB LOGO
CAUTION. READ USER GUIDE BEFORE USE

ZZ1
Label Assembly Note
This Assembly Note is for PCB labels only

ZZ2
Assembly Note
These assemblies are ESD sensitive, ESD precautions shall be observed.

ZZ3
Assembly Note
These assemblies must be clean and free from flux and all contaminants. Use of no clean flux is not acceptable.

ZZ4
Assembly Note
These assemblies must comply with workmanship standards IPC-A-610 Class 2, unless otherwise specified.

Texas Instruments and/or its licensors do not warrant the accuracy or completeness of this specification or any information contained therein. Texas Instruments and/or its licensors do not warrant that this design will meet the specifications, will be suitable for your application or fit for any particular purpose, or will operate in an implementation. Texas Instruments and/or its licensors do not warrant that the design is production worthy. You should completely validate and test your design implementation to confirm the system functionality for your application.

Orderable: DRV81325-Q1EVM	Designed for: Public Release	Mod. Date: 3/24/2026
TID #: N/A	Project Title: DRV81325-Q1EVM	
Number: MD129-001	Rev: E2	Sheet Title: HARDWARE
SVN Rev: Not in version control	Assembly Variant: DRV81325-Q1EVM	Sheet: 5 of 5
Drawn By: Mojtaba Afshar	File: DRV81325-Q1_HW.SchDoc	Size: B
Engineer: Mojtaba Afshar	Contact: http://www.ti.com/support	